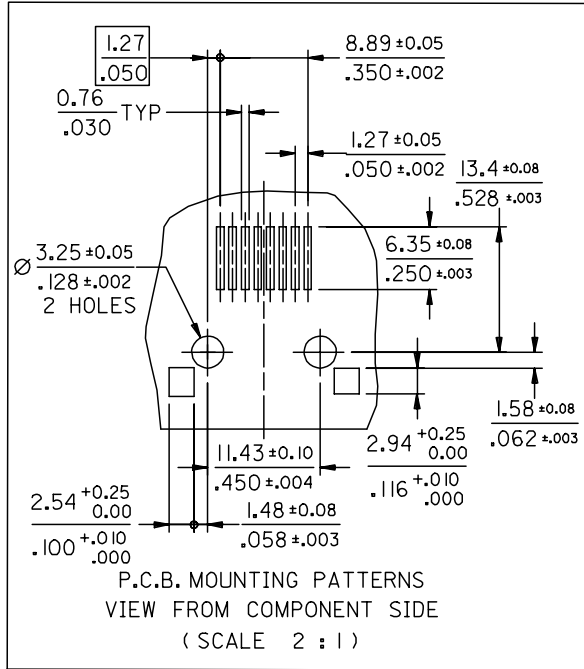


**NOTES:**

- 1- COPLANARITY OF LEADS AND SHIELD TABS: 0.10/.004 MAX.
- 2- PACKAGING SPECIFICATION : BLISTER ON REEL (SEE CHART)
- 3- PRODUCT SPECIFICATION : MOLEX PS-95540-002
- 4- KAPTON ADHESIVE FOIL: 0.125/.005 THICK.
- 5- JACK FOR MATING WITH F.C.C. 68 PLUGS 95043 MOLEX SERIES.
- 6- MANUFACTURING I.D. CAN BE EITHER MXF, MG OR MXL.



| PACKAGING   |           |                |         |
|-------------|-----------|----------------|---------|
| PART NUMBER | REEL SIZE | SPECIFICATION  | PLATING |
| 95540-6886  | 330/13    | PK-85502 SHT 1 | 2       |
| 95540-6888  | 559/22    | PK-85502 SHT 3 | 2       |

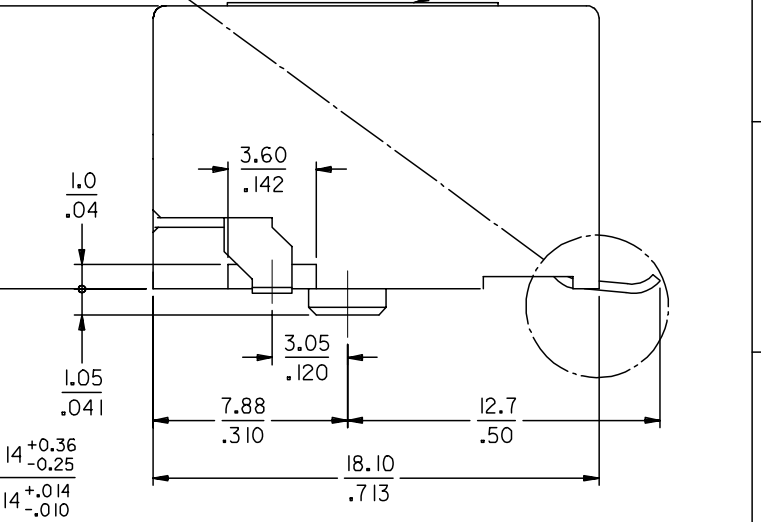
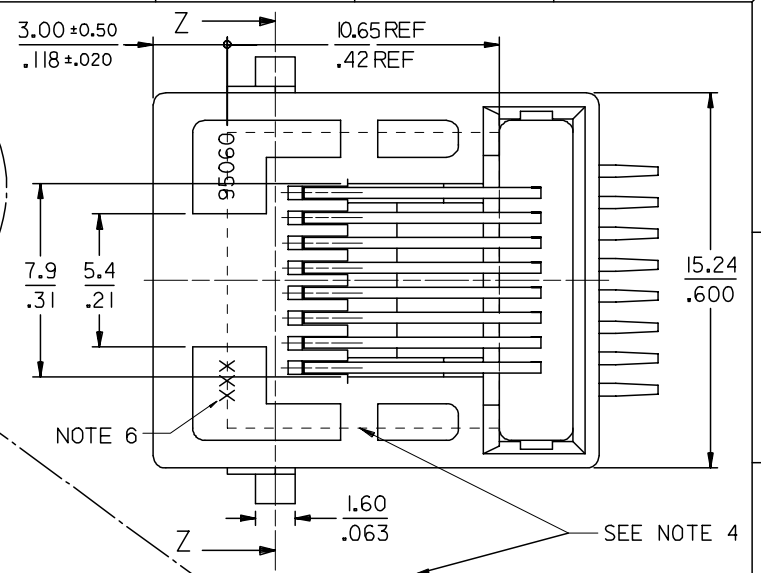
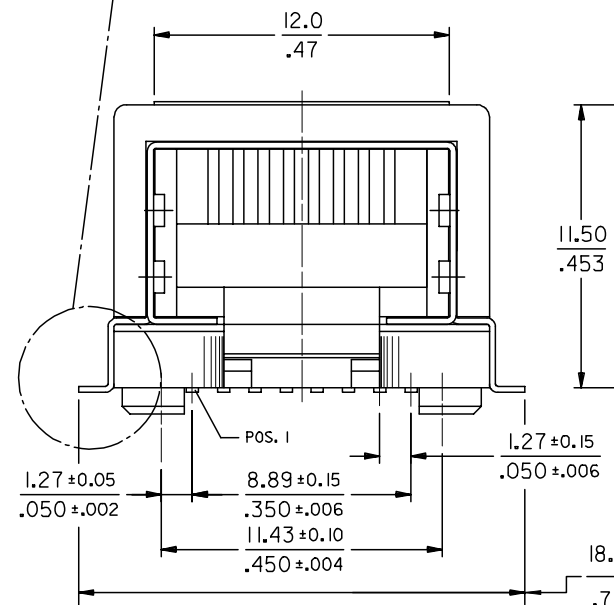
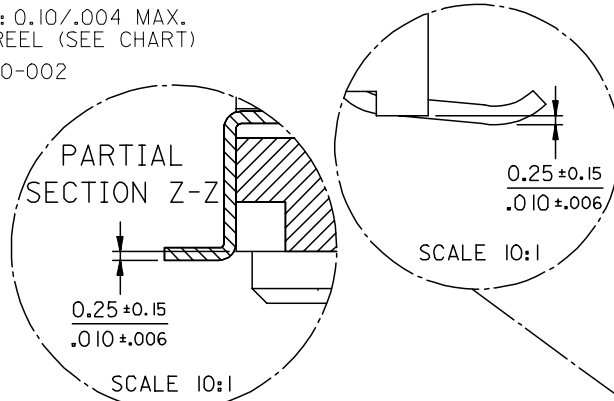
MATERIAL:  
HOUSING: LCP GLASS FILLED UL 94V0, COLOR: BLACK

TERMINAL: BRASS PLATED WITH:

PLATING 2: 0.00127/.000050 MIN GOLD IN CONTACT AREA, 0.00190/.000075 MIN TIN IN TAIL AREA, BOTH OVER 0.00127/.000050 MIN NICKEL OVERALL

PLATING 7: POST PLATE 0.00005/.000002 MIN GOLD OVER 0.00076/.000030 MIN PALLADIUM NICKEL IN CONTACT AREA; 0.00190/.000075 MIN TIN IN TAIL AREA, BOTH OVER 0.00127/.000050 MIN NICKEL OVERALL.

SHIELD: BRASS PLATED WITH 0.0020/.000078 MIN. TIN



|                   |             |                 |
|-------------------|-------------|-----------------|
| CHANGED TERM MATL | 2007/06/19  | QUALITY SYMBOLS |
| EC NO: E2007-1026 | 2007/06/20  | ▽=0             |
| DRWN:DBRYNES      | 2007/06/20  | ∇=0             |
| CHKD:             |             |                 |
| APPR:EDMANNY      | 2007/06/21  |                 |
| REV               | DESCRIPTION |                 |

| GENERAL TOLERANCES (UNLESS SPECIFIED)                |       |
|--|-------|
| mm   | INCH  |
| 4 PLACES ±---  | ±---  |
| 3 PLACES ±---  | ±.004 |
| 2 PLACES ±0.1  | ±.006 |
| 1 PLACE ±0.15  | ±---  |
| ANGULAR ±1/2°  |       |
| DRAFT WHERE APPLICABLE MUST REMAIN WITHIN DIMENSIONS |       |

| DIMENSION STYLE |   |
|-----------------|---|
| MM/IN           |   |
| DRAWN BY        | DATE  |
| KNOLLER         | 04/06/18  |
| CHECKED BY      | DATE  |
| FCARABET        | 04/06/28  |
| APPROVED BY     | DATE  |
| KNOLLER         | 04/06/29  |
| MATERIAL NO.    | DOCUMENT NO.  |
| SEE CHART       | SD-95540-001  |
| SIZE A3         | THIS DRAWING CONTAINS INFORMATION THAT IS PROPRIETARY TO MOLEX INCORPORATED AND SHOULD NOT BE USED WITHOUT WRITTEN PERMISSION |

|  |                     |                        |
|--|---------------------|------------------------|
| SCALE 5:1  | DESIGN UNITS METRIC | THIRD ANGLE PROJECTION |
| RIGHT ANGLE LOW PROFILE SHIELDED PC JACK (SURFACE MOUNT VERSION) |                     |                        |
| MOLEX MOLEX INCORPORATED   |                     |                        |
| SHEET NO. 2 OF 3   |                     |                        |